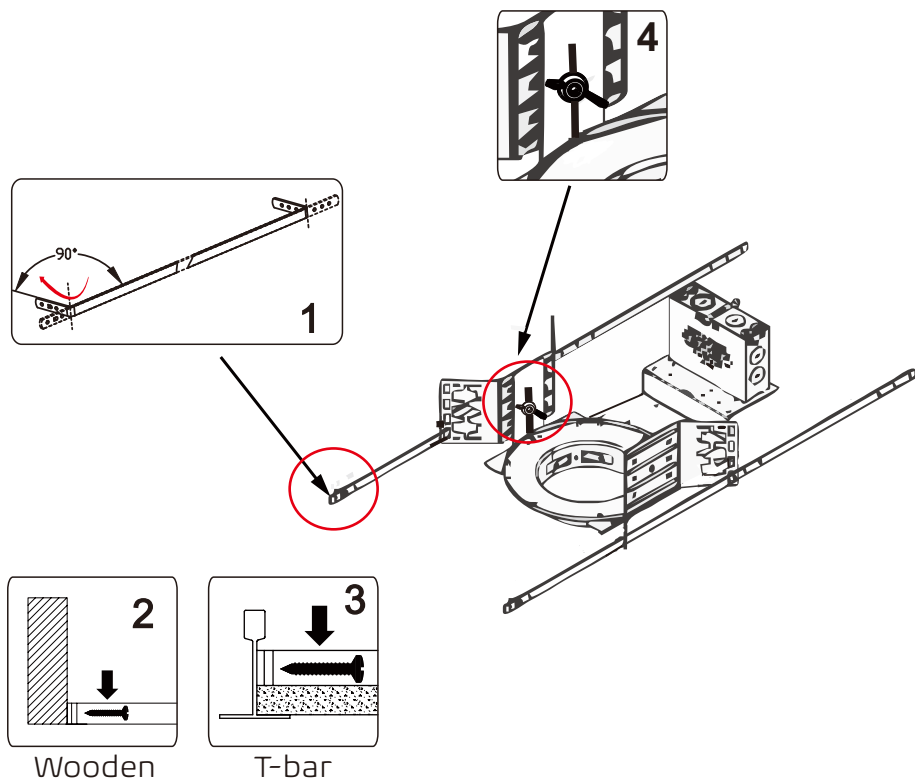




**RISK OF FIRE AND ELECTRICAL SHOCK. FIXTURE MUST BE INSTALLED BY A QUALIFIED ELECTRICIAN ONLY IN ACCORDANCE WITH NATIONAL, LOCAL BUILDING AND ELECTRICAL CODES. DISCONNECT POWER AT ELECTRICAL PANEL BEFORE SERVICING.**



## Installation Step

- ❶ Bend the brackets on the housing frame with the tool as shown (figure 1);  
Remark: The length of bending depends on the actual installation conditions
- ❷ Fix the brackets of the housing frame with screws as shown.  
If wooden ceiling, see figure 2;  
If T-bar ceiling, see figure 3;
- ❸ Adjust the nut on the bracket to make the bottom of bracket ring flush with the ceiling,  
then complete the installation of housing frame (figure 4).