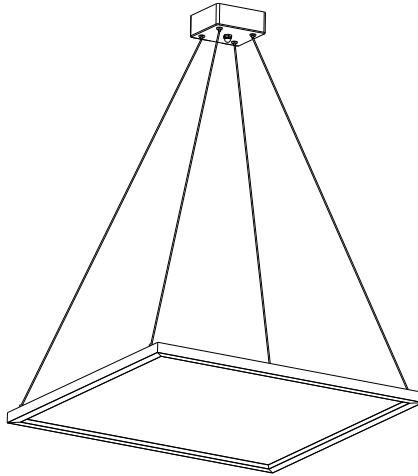


2' x 2'**Suspended LED****UP / DOWN LINEAR LED LUMINAIRE**

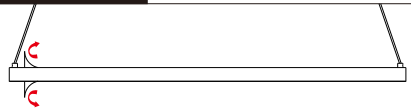
INSTALLATION INSTRUCTIONS



RISK OF FIRE AND ELECTRICAL SHOCK. FIXTURE MUST BE INSTALLED BY A QUALIFIED ELECTRICIAN ONLY IN ACCORDANCE WITH NATIONAL, LOCAL BUILDING AND ELECTRICAL CODES. DISCONNECT POWER AT ELECTRICAL PANEL BEFORE SERVICING.

**IMPORTANT**

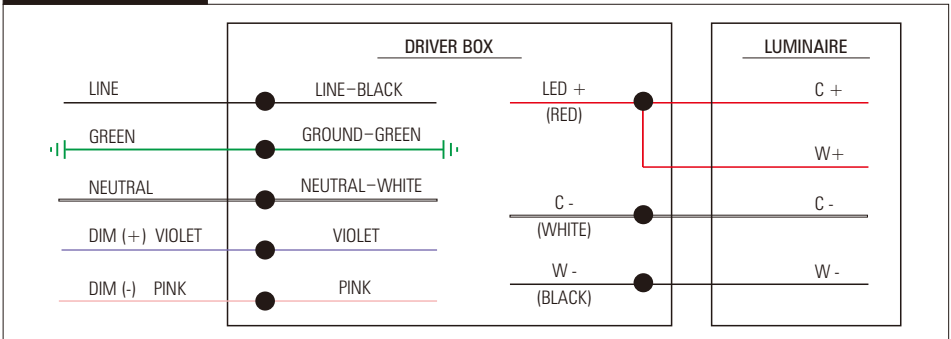
1. Read all instructions.
2. Install in accordance with national and local electrical code regulations.
3. This product is intended to be installed and serviced by a qualified, licensed electrician.
4. Do not install in wet locations. For dry and damp use only.
5. Turn off electrical power before installing or servicing fixture in any way.
6. To reduce the risk of fire and overheating, make sure all connections are tight.
7. Under no circumstances can the lighting fixture be covered with heat insulation gasket or similar materials.

ATTENTION

Leave the protective protective films on the fixtures until construction and furniture are complete.

**SHOCK HAZARD!**

May result in serious injury or death. Turn power OFF at circuit breaker prior to installation or servicing.

WIRING DIAGRAM

2' x 2'

Suspended

LED

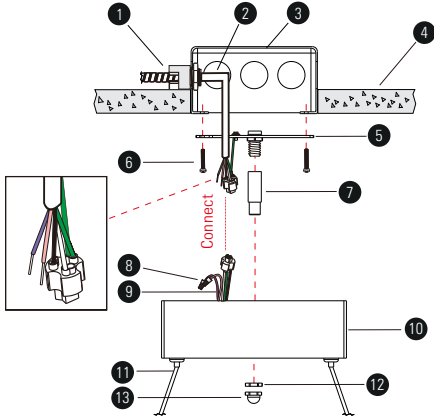
UP / DOWN LINEAR LED LUMINAIRE

INSTALLATION INSTRUCTIONS

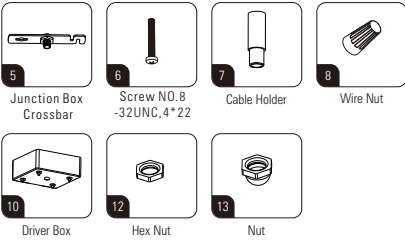


RISK OF FIRE AND ELECTRICAL SHOCK. FIXTURE MUST BE INSTALLED BY A QUALIFIED ELECTRICIAN ONLY IN ACCORDANCE WITH NATIONAL, LOCAL BUILDING AND ELECTRICAL CODES. DISCONNECT POWER AT ELECTRICAL PANEL BEFORE SERVICING.

DRY CEILING



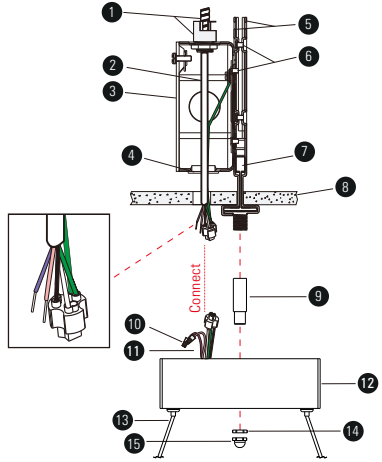
! Connect DC wires correctly according to the label.



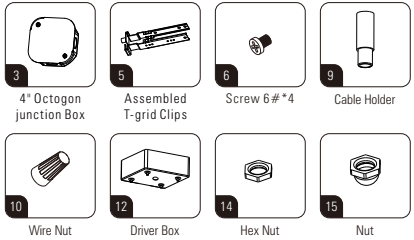
►► PARTS LIST

- 1 Armored Cable & Connector (By Others)
- 2 AC Input (By Others)
- 3 J-Box (By Others)
- 4 Drywall Ceiling (By Others)
- 5 Junction Box Crossbar
- 6 Screw NO.8-32UNC, 4*22
- 7 Cable Holder
- 8 Wire Nut
- 9 AC Input Of Driver
- 10 Driver Box
- 11 DC Input
- 12 Hex Nut
- 13 Nut

DROP CEILING - T-GRID CLIPS



! Connect DC wires correctly according to the label.



►► PARTS LIST

- 1 Armored Cable & Connector (By Others)
- 2 Power Cord (By Others)
- 3 4" Octagon Junction Box
- 4 Plastic Grommet
- 5 Assembled T-grid Clips
- 6 Screw 6#*4
- 7 T-grid (By Others)
- 8 Ceiling Tile (By Others)
- 9 Cable Holder
- 10 Wire Nut
- 11 AC Input Of Driver
- 12 Driver Box
- 13 DC Input
- 14 Hex Nut
- 15 Nut